

BRIGHTWELL

# NEXUS

## Laundry Dosing System Product Datasheet



### Key Features

- 3 - 8 pumps
- Suitable for 15kg - 80kg single machines
- Highly durable low maintenance pump
- Individual pump speed control
- Touchpad, Bluetooth or WiFi configuration
- Multiple signalling modes, including AFS & levels
- Up to 30 wash programs
- CE & UL certified
- Two year warranty



Cost Effective



Easy Installation



Customer Satisfaction



Remote Management



Azure Data Security



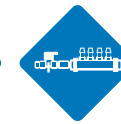
Cloud Data Insights



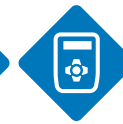
Chemical Resistant Materials



Reduced Site Visits



Comprehensive Accessories



Program Flexibility



Efficient Data Capture

### Technical Specifications: Nexus Unit

Model Number	Voltage & Frequency	Power	Weight	Packing Dimensions (approx. mm) H x W x D
NM3-G01-D9 Nexus 3 Pump	80-264VAC 50-60Hz	120W	3.3 kg	210 x 490 x 290
NM4-G01-D9 Nexus 4 Pump	80-264VAC 50-60Hz	120W	3.6 kg	210 x 490 x 290
NM5-G01-D9 Nexus 5 Pump	80-264VAC 50-60Hz	150W	4.8 kg	210 x 490 x 290 + 160 x 305 x 275 (x1)*
NM6-G01-D9 Nexus 6 Pump	80-264VAC 50-60Hz	180W	5.9 kg	210 x 820 x 290
NM7-G01-D9 Nexus 7 Pump	80-264VAC 50-60Hz	210W	7.1 kg	210 x 820 x 290 + 160 x 305 x 275 (x1)*
NM8-G01-D9 Nexus 8 Pump	80-264VAC 50-60Hz	240W	8.2 kg	210 x 820 x 290 + 160 x 305 x 275 (x2)*

\* Pump modules supplied separately for 7 and 8 pump units

### In the Box

Nexus pump unit (order dependent)

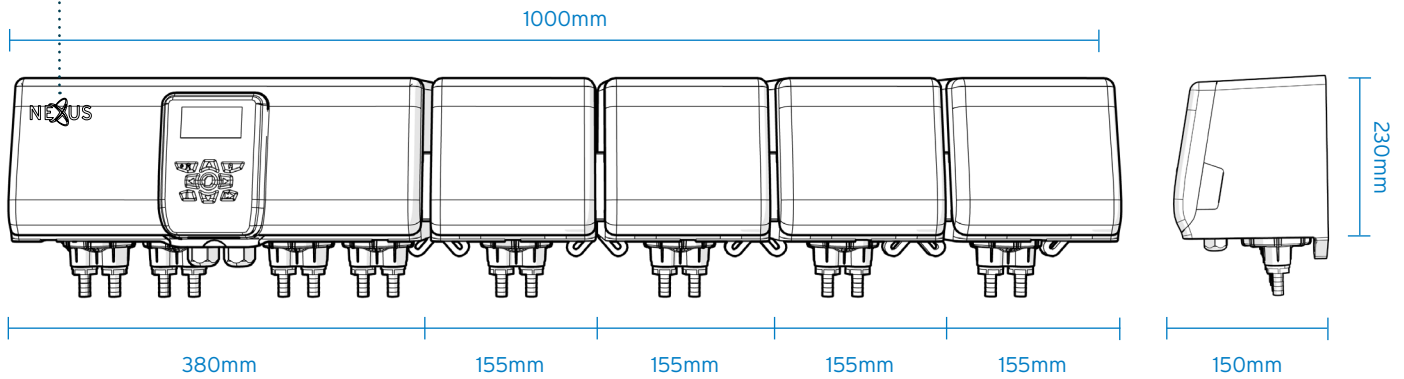
QuickStart Guide

Mounting kit

Formula Select (order dependent)

Customer logo branding available

Max print area: W60mm x H30mm



## Available Accessories

Part Number	Description
XLM5-4D08-10/M	Modular Manifold 4-Way 8mm inlets/ 10mm outlet
XLM5-4D08-10/M	Modular Manifold 4-Way 10mm inlets/ 10mm outlet
XLM5-4D08-10/M	Modular Manifold 6-Way 8mm inlets/ 10mm outlet
XLM5-4D08-10/M	Modular Manifold 6-Way 10mm inlets/ 10mm outlet
NFS-G01	Formula Select



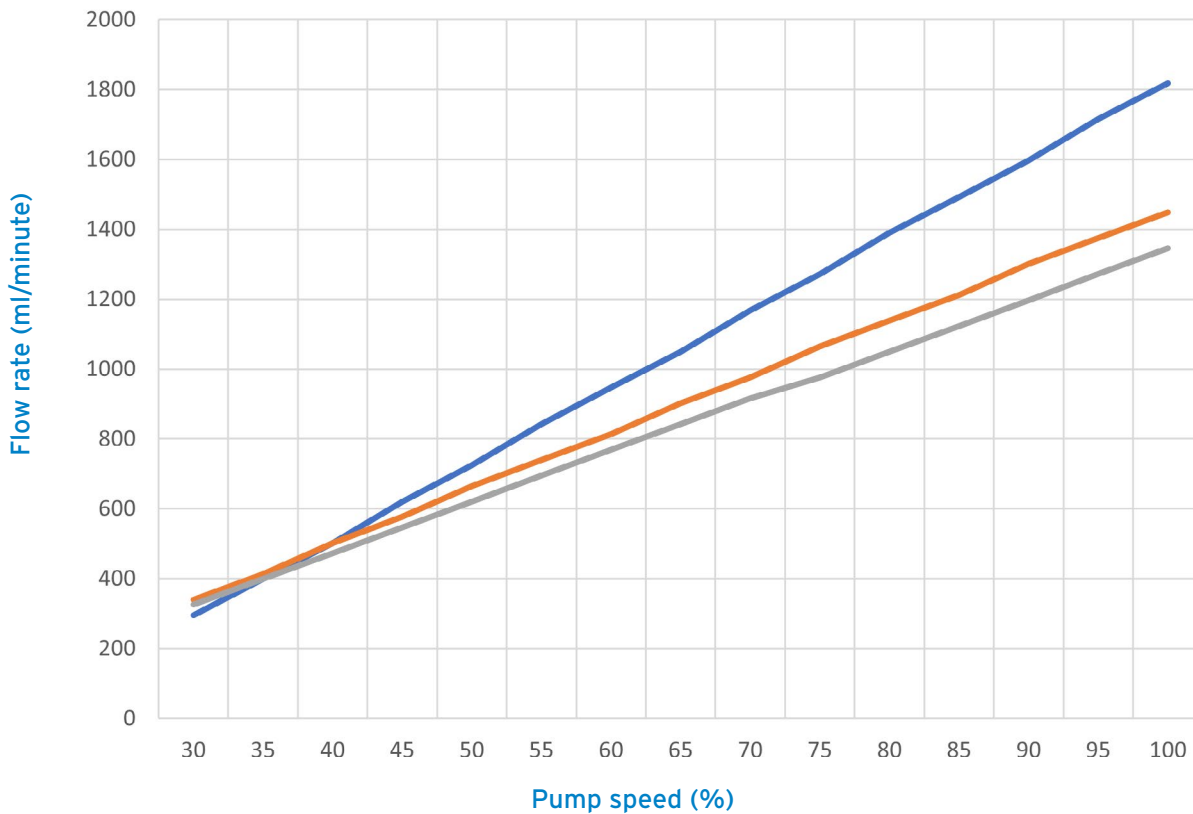
## Technical Specifications: Nexus Membrane Pump

Flow Rate Per Minute	300ml - 1800ml* * Using water
Max. Horizontal Tube Inlet	100m
Max. Horizontal Tube Outlet	200m
Recommended Prime Height	1.5m
Max Prime Height (Water)	2.4m
Max. Outlet Tube Height	20m
Max. Outlet Pressure	2.4 Bar
Max. Viscosity	1500 cP

## Wetted Materials

Pump Body	PVDF
Valve Washer	PVC
Valve Umbrella	Extreme Viton * Other materials optional
Pump Membrane	PTFE

## Approximate Pump Flow Rates



### Chemical Compatibility

Bleach - 6-(Phthalimido)Peroxyhexanoic Acid (30%)

Conditioner/Softener - Esterquat (30%)

Detergent - Pentasodium Triphosphate (30%)

Detergent - Sodium Dodecyl Benzene Sulphonate (30%)

Emulsifier - Alcohol Ethoxylate 6.5MEO (30%)

Hydrogen Peroxide (50%)

Peracetic Acid (20%)

Phosphoric Acid (40%)

Sodium Hydroxide (40%)

Sodium Hypochlorite (30%)

D'limonene

### Flow Rate with Different Viscosities

Pump Speed %	Water (ml/min)	90 cP (ml/min)	950 cP (ml/min)
100	1819	1449	1346
95	1715	1375	1272
90	1493	1213	1124
85	1597	1301	1198
80	1390	1139	1050
75	1272	1065	976
70	1168	976	917
65	1050	902	843
60	946	813	769
55	843	739	695
50	725	665	621
45	621	577	547
40	503	503	473
35	399	414	399
30	296	340	325