



MULTIPLEX 2 (PRO)

LAUNDRY DOSING SYSTEM INDUSTRIAL

PRODUCT DATA SHEET



Description

Designed to cater to a range of laundry sizes, the Multiplex range serves establishments operating anywhere from 4 to 12 washing machines, with daily production capacities ranging from 500kg using our Multiplex 1 to 4000kg with our advanced Multiplex 2 Pro. With safety as a top priority, the Multiplex dosing system incorporates several key features to ensure peace of mind for operators. From rigorous leak and water testing protocols to comprehensive chemical compatibility checks, Multiplex guarantees a secure dosing routine. Additionally, its innovative design includes continuous channel cleaning with water, effectively minimizing maintenance requirements and ensuring uninterrupted operation.

Technical Specifications

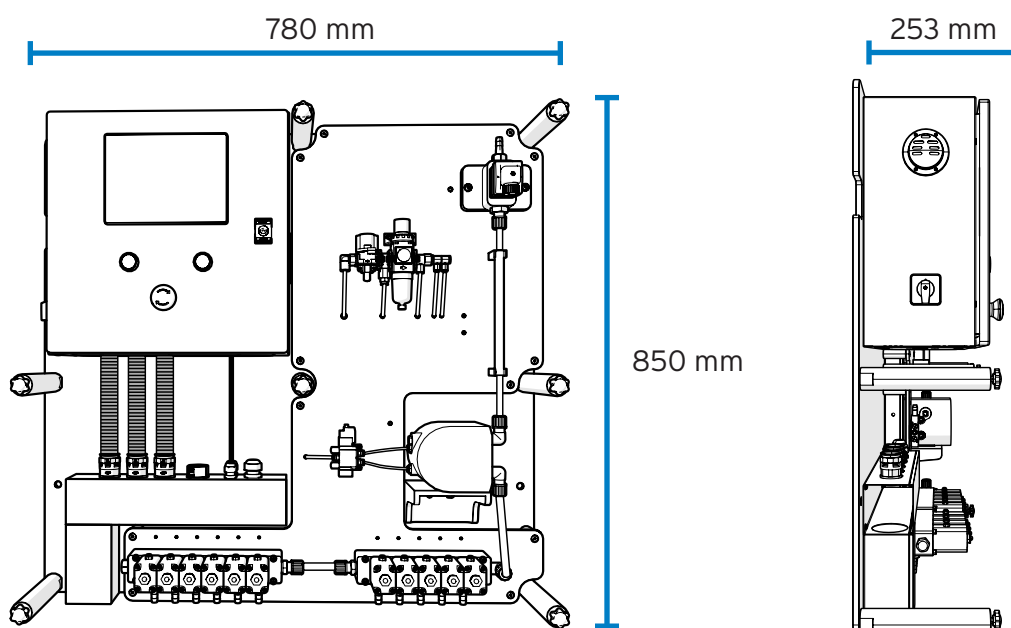
		Value	
LAUNDRY	Maximum daily production *	4000 kg	
	Maximum of products	10	
UNIT	Maximum number of washing machines	12	
	* Requires Machine Hold functionality		
INTERACTION	Functions	Configure Real-time view Reports Password management	
	Interface	7" Touchscreen (Local) Webserver (Local) Web Portal	
	ELECTRIC PARAMETERS	Voltage/Frequency	110-240 VAC / 50-60Hz
		Power	120W

Technical Specifications

		Value
AIR	Working pressure	4 bar
	Air intake	10 mm
	Average consumption	140 l/m
	Air entrainment	Optional
	Condensation filter	Intergrated
PANELS	Material	PVC
PUMPS	Number	1 pump per channel. Main channel: Pneumatic double diaphragm pump
	Flow rate (with water)	5 litres/minute
	Body	PVDF
	Membranes	PTFE
	Non-return valves	PVDF/FFKM
PRODUCT/WATER VALVES	Voltage	24VDC
	Body	PP
	Closure piston	PTFE
	O-rings	FFKM
FLOW METERS	Standard measuring principle	Paddles + Hall effect sensor
	Signal	24 VDC PNP
	Body	PP
	Palettes	PVDF
	O-rings	FKM
	Alternatives	*Oval Gear not included. Supplied on request. Recommended with chemicals 180cP and above.
DOSING	Distribution	External distributor
	Outlet barb diameter	10mm
	Outlet barb material	PVDF
	Fittings (straight / elbows)	PP for pipe 10/12
	Built-in tubes	PTFE 10x12mm
	Recommended pipes for installation	Braided (UK & US) PVC 10x16
CABLIBRATION	Mode	Via distributor
	Measuring vase	Not included * recommended
FORMULAS	Number	200
	Dose units	g/kg fl.oz/cw
	Maximum number of doses per phase	6

		Value
STATISTICS	Data	Synchronisation in the cloud
		On-board storage
		Production in load and cycles
		Consumption and product cost
	Information	OEE
REMOTE ACCESS	Availability	Alarms Data always available on the web portal and the possibility to make changes at any time, with instant synchronisation
	Router	Not included in the equipment
WATER	Pressure in dynamic range	1.5 bar (min) - 3 bar (max) Recommended regulator
	Flow rate range	min 2/l per min - max 10/l per min
	Input connection	Barb 10mm
	Maximum temperature	< 30 ° C
	Required hardness	< 8°dH
	Booster tank	Not included. Supplied on request. Recommended.

Diagram



Dimensiones

Ancho	780 mm
Height	850 mm
Depth	253 mm

Weight

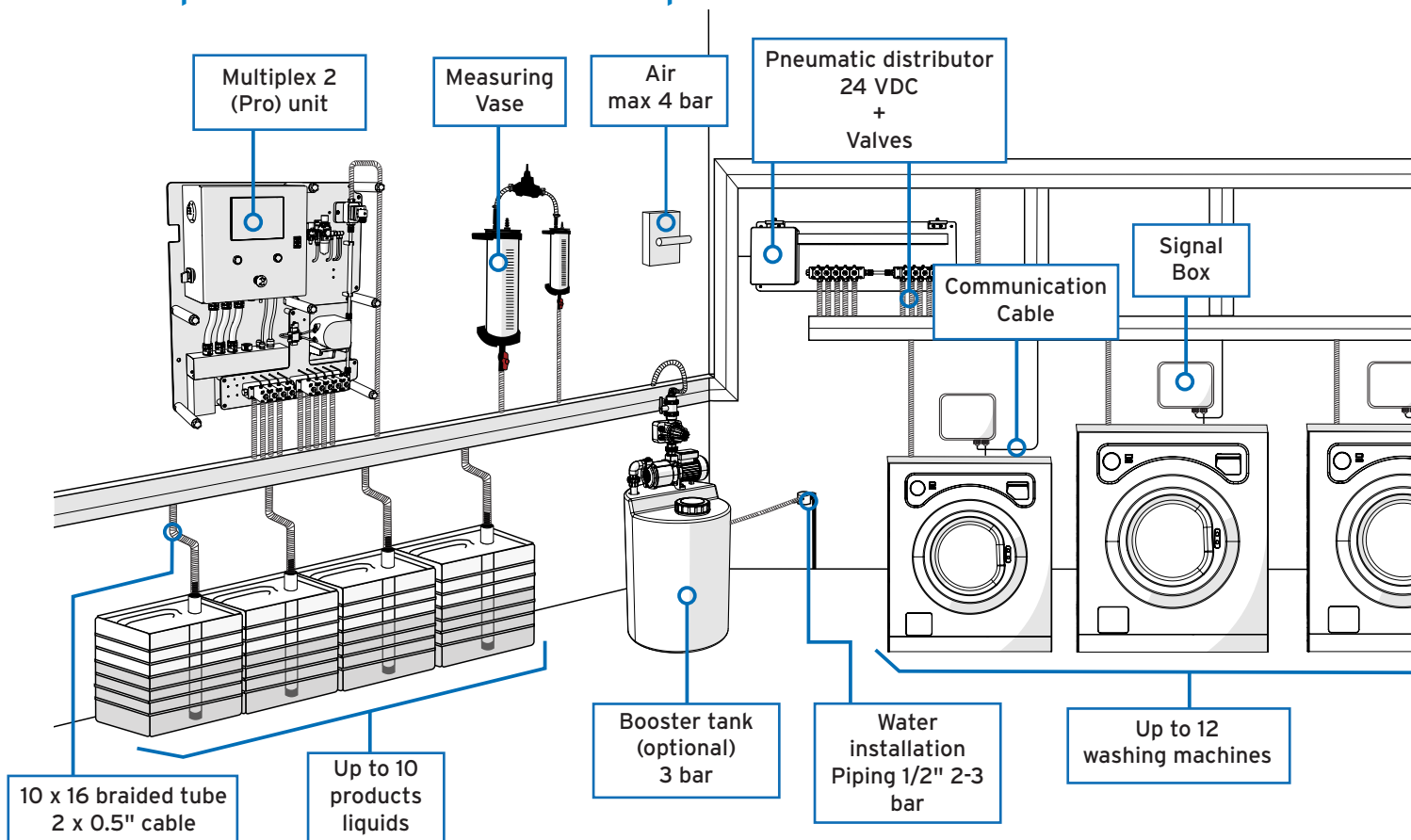
Unit	42kg
------	------

T +44 (0) 1273 513566 **E** sales@brightwell.co.uk **W** brightwell.co.uk

Unit 1, Rich Industrial Estate, Avis Way, Newhaven, East Sussex, BN9 0DU, UK

All information in this data sheet is correct at the time of printing and is subject to change without notice.

Example of Recommended Setup



T +44 (0) 1273 513566 E sales@brightwell.co.uk W brightwell.co.uk

Unit 1, Rich Industrial Estate, Avis Way, Newhaven, East Sussex, BN9 0DU, UK

All information in this data sheet is correct at the time of printing and is subject to change without notice.